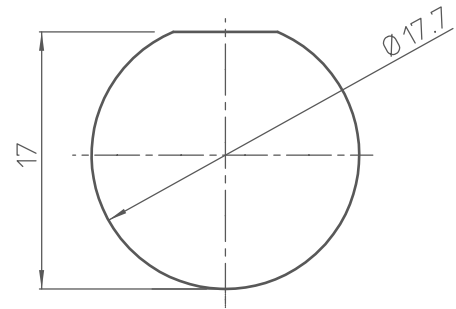
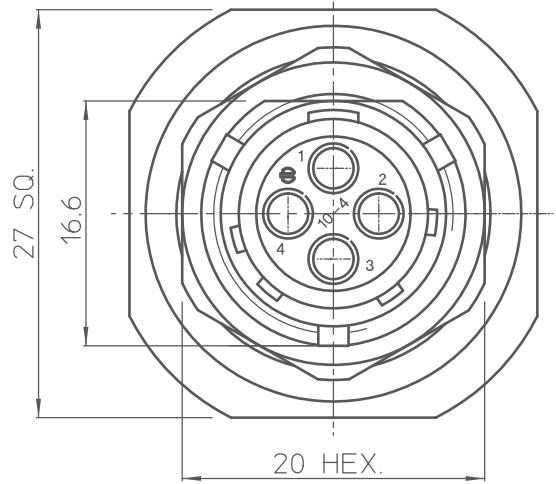
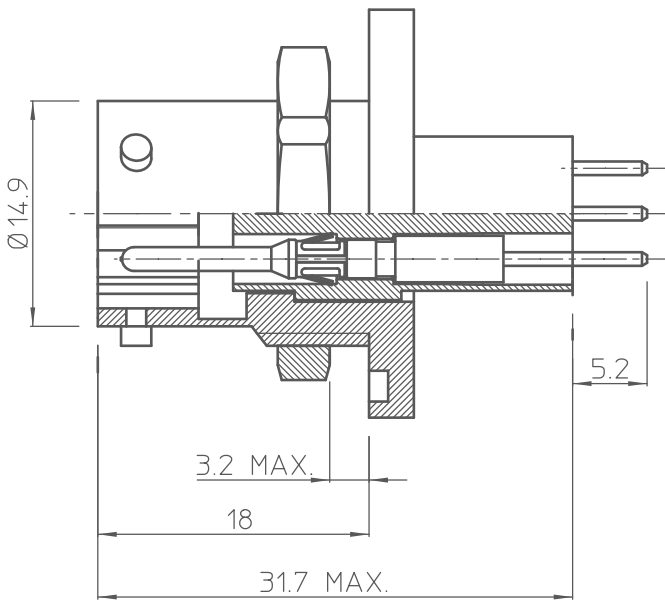


DIT IS ONZE EIGENDOM EN MAG NOCH NAGEMAAKT, HERDRUKT, OVERGEMAAKT AAN DERDEN, NOCH VOOR FABRIKATIE GEBRUIKT WORDEN, ZONDER ONZE SCHRIFTELIJKE TOELATING. BIJ NIET GEBRUIK IS DE TERUGZENDING VERPLICHT.

THIS IS OUR EXCLUSIVE PROPERTY. IT IS NOT TO BE COPIED, REPRINTED OR DISCLOSED TO A THIRD PARTY, NOR USED FOR MANUFACTURING WITHOUT OUR WRITTEN CONSENT, AND HAS TO BE RETURNED TO US IN CASE OF NO USAGE

BS,A , 202332 , 002 , 02

REV.	DATE	DESCRIPTION	BY	C'K'D'
01	19-04-02	NUT-MATERIAL MODIFIED	NL	
02	22.05.02	DRILL.PATTERN+POST CHAMF.ADDED	NL	



PANEL CUT OUT

Material :

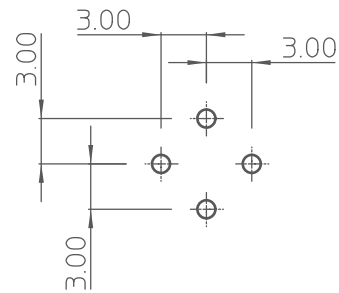
- Insert : Reinforced PPS (polyphenylene) Black.
- Shell : Aluminum Alloy (Bright tin plated).
- Contact marking: Silk screen - white
- Nut : Aluminum alloy (Bright tin plated)

Performance Characteristics :

- Operating temperature : - 55°C to + 125°C.
- Insulating resistance : 5000 MΩ(min).
- Test potential : 2000 VAC(eff).

Note :

Connector equipped with male contacts RM20M12E8K.



DRILLING PATTERN

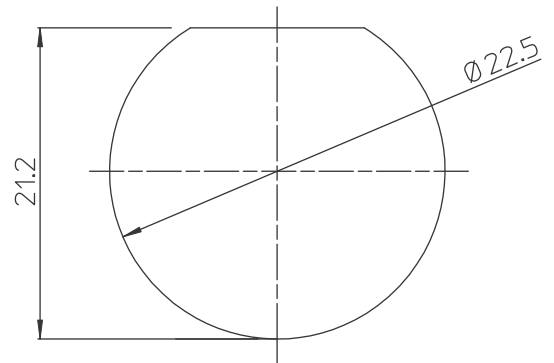
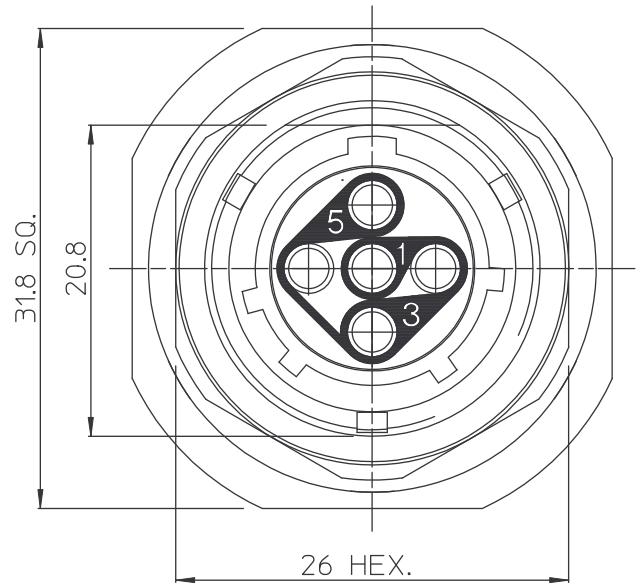
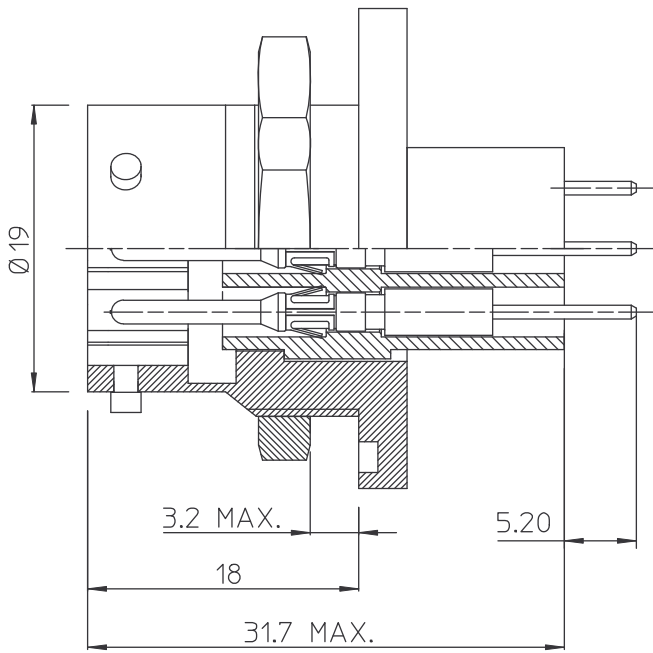
GEN. ST.	01	02	03	04	05	06	07	08	0D	50	60	70	80	90																	
INT. ST.	10	11	12	13	14	18	20	31	32	33	34	38	39	40	42	43	44	45	46	48	56	70	72	73	75	76	81	82	83	84	88

1DEC ±0,2 1DEC 2DEC ±0,1 2DEC ANGLES ±1° HOEKEN	APPR. DRAFT CHECKED	DATE 11-04-02	SIGN. N. LEENAERT	BULKHEAD REC. SIZE 10 WITH PIN CONTACTS CAT. No. UTO7104P21E8T	
WE RESERVE THE RIGHT TO CHANGE DIMENSIONS OR REQUIREMENTS WITHOUT PRIOR NOTICE.				FCI FCI MECHELEN N.V. A. SPINOYSTRAAT 8, 2800 MECHELEN	
ALL DIMENSIONS IN MM ALLE AFMETINGEN IN MM				REFERENCES / REFERENTIES	
				BS,A , 202332 , 002 , 02 DRAWING NR. CUSTOMER DRAWING	

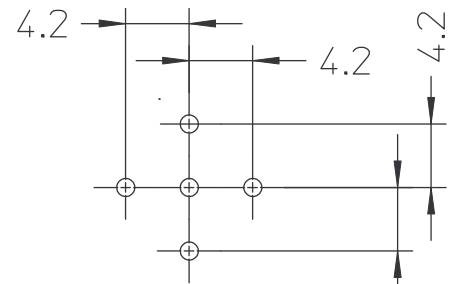
DIT IS ONZE EIGENDOM EN MAG NOCH NAGEMAAKT . HERDRUKT . OVERGEMAAKT AAN DERDEN . NOCH VOOR FABRIKATIE GEBRUIKT WORDEN . ZONDER ONZE SCHRIFTELIJKE TOELATING . BIJ NIET GEBRUIK IS DE TERUGZENDING VERPLICHT .

THIS IS OUR EXCLUSIVE PROPERTY . IT IS NOT TO BE COPIED . REPRINTED OR DISCLOSED TO A THIRD PARTY . NOR USED FOR MANUFACTURING WITHOUT OUR WRITTEN CONSENT . AND HAS TO BE RETURNED TO US IN CASE OF NO USAGE

REV.	DATE	DESCRIPTION	BY	C 'K 'D'
--	--	--	--	



PANEL CUT OUT



DRILLING PATTERN

Material :

- Insert : Reinforced PPS (polyphenylene) Black.
- Shell : Aluminum Alloy (Bright tin plated).
- Contact marking: Silk screen - white
- Nut : Aluminum alloy (Bright tin plated)

Performance Characteristics :

- Operating temperature : - 55°C to + 125°C.
- Insulating resistance : 5000 M ohm (min).
- Test potential : 2000 VAC(eff).

Note :

Connector fully equipped with male contacts RM20M12E8K

DESIGN PROPOSAL

GEN. ST.	01	02	03	04	05	06	07	08	0D	50	60	70	80	90																	
INT. ST.	10	11	12	13	14	18	20	31	32	33	34	38	39	40	42	43	44	45	46	48	56	70	72	73	75	76	81	82	83	84	88

1DEC ±0,2 1DEC
2DEC ±0,1 2DEC
ANGLES ±1° HOEKEN

APPR. **DATE** **SIGN.**

BULKHEAD REC. SIZE 12 WITH PIN CONTACTS

DRAFT 30-09-03 ROUVILLARD CH

CAT. No. UT07125P21E8T

WE RESERVE THE RIGHT TO CHANGE DIMENSIONS OR REQUIREMENTS WITHOUT PRIOR NOTICE.

PROD. MGR.
PR. ENG. MGR.
PR. MGT. MGR.

FCI FCI MECHELEN N.V.
A. SPINOYSTRAAT 8, 2800 MECHELEN

SCALE
2 : 1

ALL DIMENSIONS IN MM

REFERENCES / REFERENTIES

BS , A , 202332 , 012 , 00
DRAWING NR. CUSTOMER DRAWING

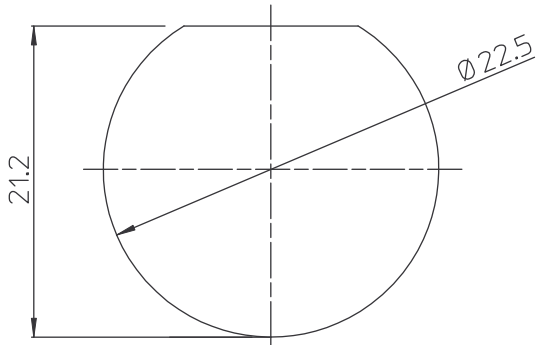
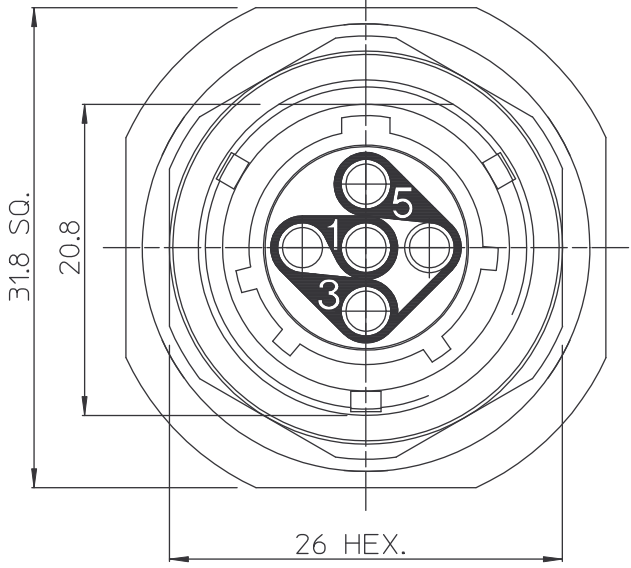
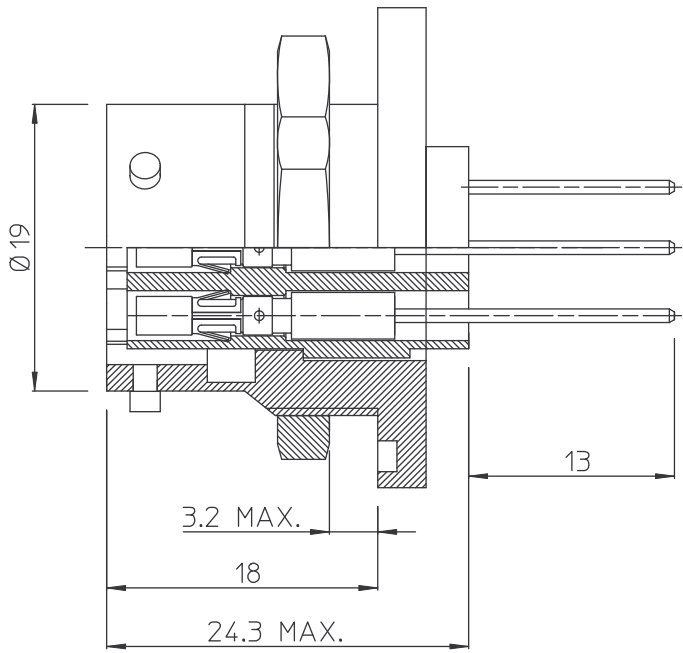


BS , A , 202332 , 012 , 00

DIT IS ONZE EIGENDOM EN MAG NOCH NAGEMAAKT, HERDRUKT, OVERGEMAAKT AAN DERDEN, NOCH VOOR FABRIKATIE GEBRUIKT WORDEN, ZONDER ONZE SCHRIFTELIJKE TOELATING. BIJ NIET GEBRUIK IS DE TERUGZENDING VERPLICHT.

THIS IS OUR EXCLUSIVE PROPERTY. IT IS NOT TO BE COPIED, REPRINTED OR DISCLOSED TO A THIRD PARTY, NOR USED FOR MANUFACTURING WITHOUT OUR WRITTEN CONSENT, AND HAS TO BE RETURNED TO US IN CASE OF NO USAGE

REV.	DATE	DESCRIPTION	BY	C'K'D'
--	--	--	--	--



PANEL CUT OUT

Material :

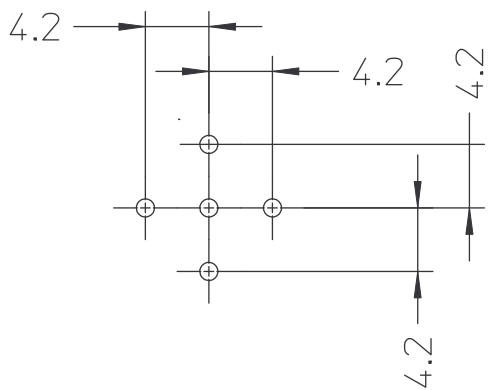
- Insert : Reinforced PPS (polyphenylene) Black.
- Shell : Aluminum Alloy (Bright tin plated).
- Contact marking: Silk screen - yellow
- Nut : Aluminum alloy (Bright tin plated)

Performance Characteristics :

- Operating temperature : - 55°C to + 125°C.
- Insulating resistance : 5000 M Ohm(min).
- Test potential : 2000 VAC(eff).

Note :

Connector fully equipped with female contacts RC20M12E84K



DRILLING PATTERN

DESIGN PROPOSAL

GEN. ST.	01	02	03	04	05	06	07	08	0D	50	60	70	80	90																	
INT. ST.	10	11	12	13	14	18	20	31	32	33	34	38	39	40	42	43	44	45	46	48	56	70	72	73	75	76	81	82	83	84	88

1DEC ±0,2 1DEC 2DEC ±0,1 2DEC ANGLES ±1° HOEKEN	APPR. DRAFT CHECKED	DATE 30-09-03	SIGN. ROUILLARD CH	BULKHEAD REC. SIZE 12 WITH SOCKET CONTACTS CAT. No. UT07125S21E84T	SCALE 2 : 1
WE RESERVE THE RIGHT TO CHANGE DIMENSIONS OR REQUIREMENTS WITHOUT PRIOR NOTICE.	PROD. MGR. PR.ENG.MGR. PR.MGT.MGR.	REFERENCES/REFERENTIES		FCI MECHELEN N.V. A. SPINOYSTRAT 8, 2800 MECHELEN	BS , A , 202332 , 013 , 00 DRAWING NR. CUSTOMER DRAWING

BS , A , 202332 , 013 , 00

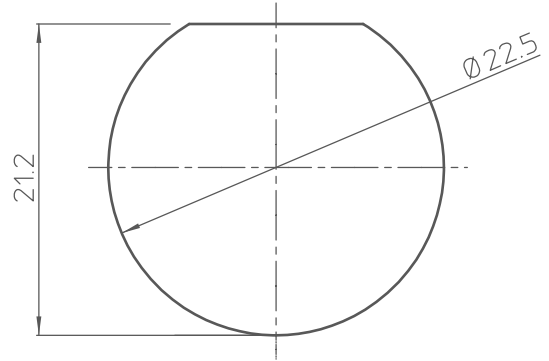
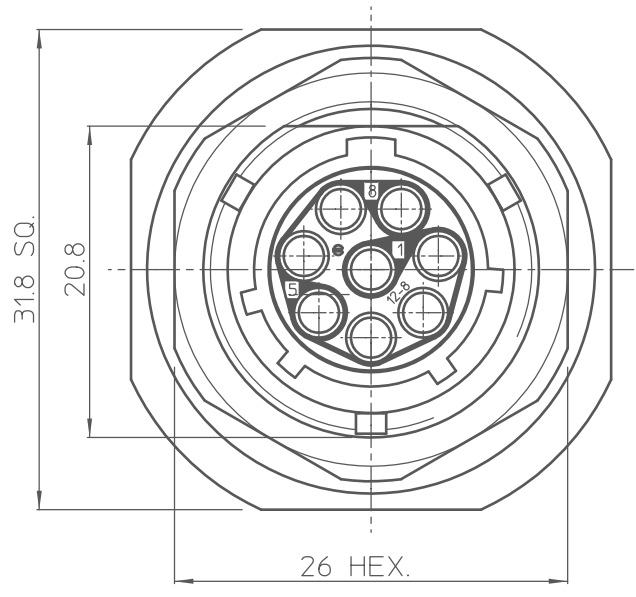
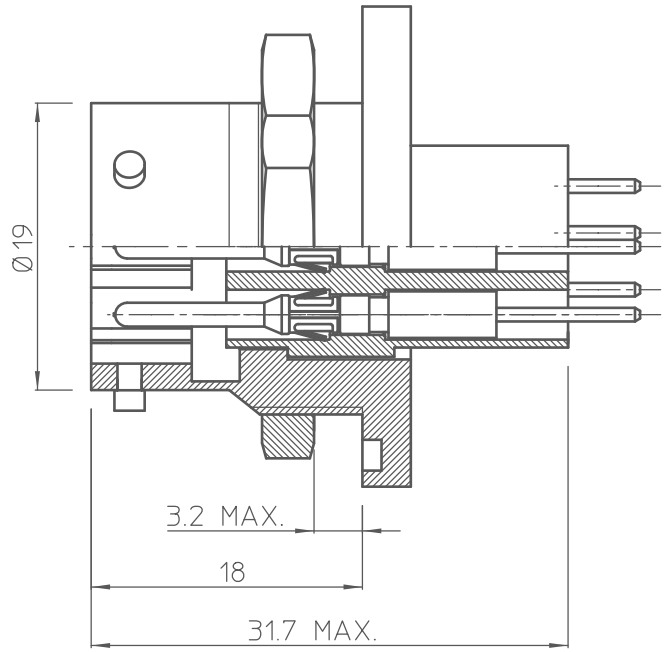


DIT IS ONZE EIGENDOM EN MAG NOCH NAGEMAAKT, HERDRUKT, OVERGEMAAKT AAN DERDEN, NOCH VOOR FABRIKATIE GEBRUIKT WORDEN, ZONDER ONZE SCHRIFTELIJKE TOELATING. BIJ NIET GEBRUIK IS DE TERUGZENDING VERPLICHT.

THIS IS OUR EXCLUSIVE PROPERTY. IT IS NOT TO BE COPIED, REPRINTED OR DISCLOSED TO A THIRD PARTY, NOR USED FOR MANUFACTURING WITHOUT OUR WRITTEN CONSENT, AND HAS TO BE RETURNED TO US IN CASE OF NO USAGE

BS,A , 202332 , 003 , 02

REV.	DATE	DESCRIPTION	BY	C'K'D'
01	19-04-02	NUT MATERIAL MODIFIED	NL	
02	22.05.02	DRILL PATTERN+POST CHAMF. ADDED	NL	



PANEL CUT OUT

Material :

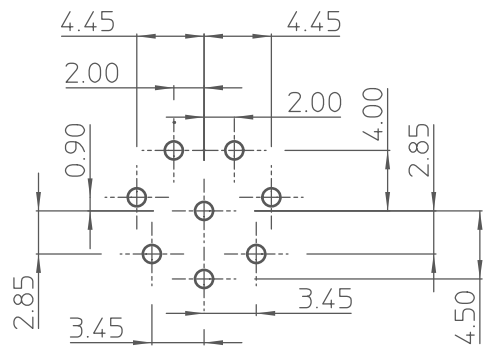
- Insert : Reinforced PPS (polyphenylene) Black.
- Shell : Aluminum Alloy (Bright tin plated).
- Contact marking: Silk screen - yellow
- Nut : Aluminum alloy (Brighth tin plated)

Performance Characteristics :

- Operating temperature : - 55°C to + 125°C.
- Insulating resistance : 5000 MΩ(min).
- Test potential : 2000 VAC(eff).

Note :

Connector fully equiped with male contacts RM20M12E8K



DRILLING PATTERN

GEN. ST.	01	02	03	04	05	06	07	08	0D	50	60	70	80	90																	
INT. ST.	10	11	12	13	14	18	20	31	32	33	34	38	39	40	42	43	44	45	46	48	56	70	72	73	75	76	81	82	83	84	88

1DEC ±0,2 1DEC
2DEC ±0,1 2DEC
ANGLES ±1° HOEKEN

WE RESERVE THE RIGHT TO CHANGE DIMENSIONS OR REQUIREMENTS WITHOUT PRIOR NOTICE.

ALL DIMENSIONS IN MM
ALLE AFMETINGEN IN MM

APPR.	DATE	SIGN.
DRAFT	12-04-02	N. LEENAERT
CHECKED		
PROD. MGR.		
PR. ENG. MGR.		
PR. MGT. MGR.		

REFERENCES / REFERENTIES

BULKHEAD REC. SIZE 12 WITH PIN CONTACTS

CAT. No. UT07128P21E8T

FCI FCI MECHELEN N.V.
A. SPINOYSTRAAT 8, 2800 MECHELEN

SCALE
2 : 1

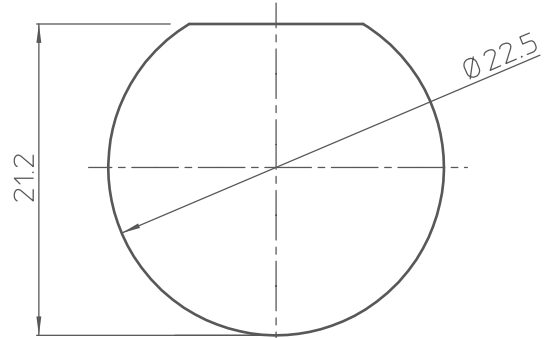
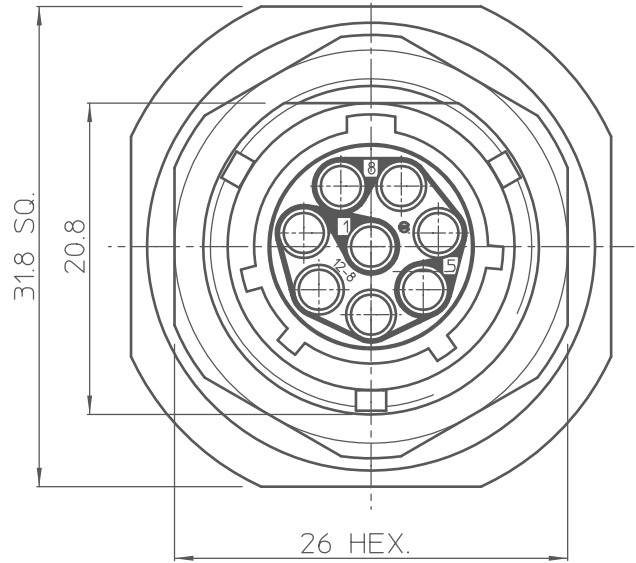
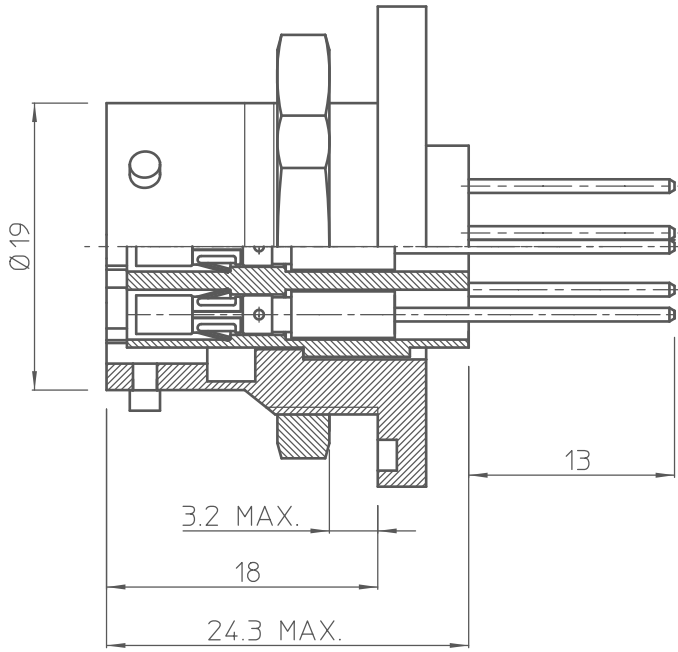
BS,A , 202332 , 003 , 02
DRAWING NR. CUSTOMER DRAWING

DIT IS ONZE EIGENDOM EN MAG NOCH NAGEMAAKT, HERDRUKT, OVERGEMAAKT AAN DERDEN, NOCH VOOR FABRIKATIE GEBRUIKT WORDEN, ZONDER ONZE SCHRIFTELIJKE TOELATING. BIJ NIET GEBRUIK IS DE TERUGZENDING VERPLICHT.

THIS IS OUR EXCLUSIVE PROPERTY. IT IS NOT TO BE COPIED, REPRINTED OR DISCLOSED TO A THIRD PARTY, NOR USED FOR MANUFACTURING WITHOUT OUR WRITTEN CONSENT, AND HAS TO BE RETURNED TO US IN CASE OF NO USAGE

BS, A , 202332 , 005 , 03

REV.	DATE	DESCRIPTION	BY	C'K'D'
01	19-04-02	NUT MATERIAL MODIFIED	NL	
02	22-05-02	DRILL .PATTERN+POST CHAMF. ADDED	NL	
03	03-10-02	Stick-out length post added	PB	



PANEL CUT OUT

Material :

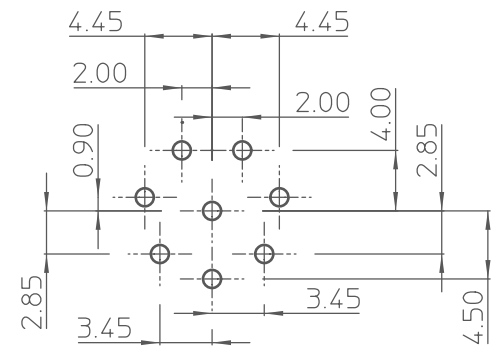
- Insert : Reinforced PPS (polyphenylene) Black.
- Shell : Aluminum Alloy (Bright tin plated).
- Contact marking: Silk screen - yellow
- Nut : Aluminum alloy (Bright tin plated)

Performance Characteristics :

- Operating temperature : - 55°C to + 125°C.
- Insulating resistance : 5000 M Ω (min).
- Test potential : 2000 VAC(eff).

Note :

Connector fully equipped with female contacts RC20M12E84K



DRILLING PATTERN

GEN. ST.	01	02	03	04	05	06	07	08	0D	50	60	70	80	90																	
INT. ST.	10	11	12	13	14	18	20	31	32	33	34	38	39	40	42	43	44	45	46	48	56	70	72	73	75	76	81	82	83	84	88

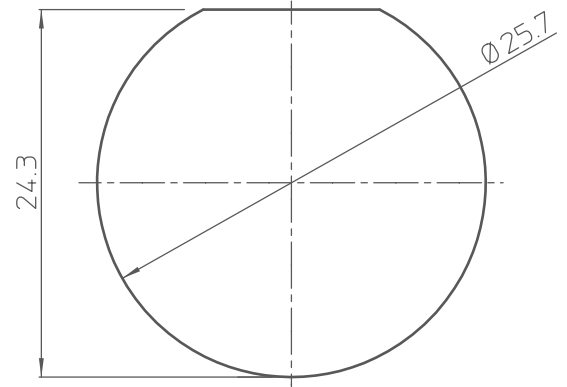
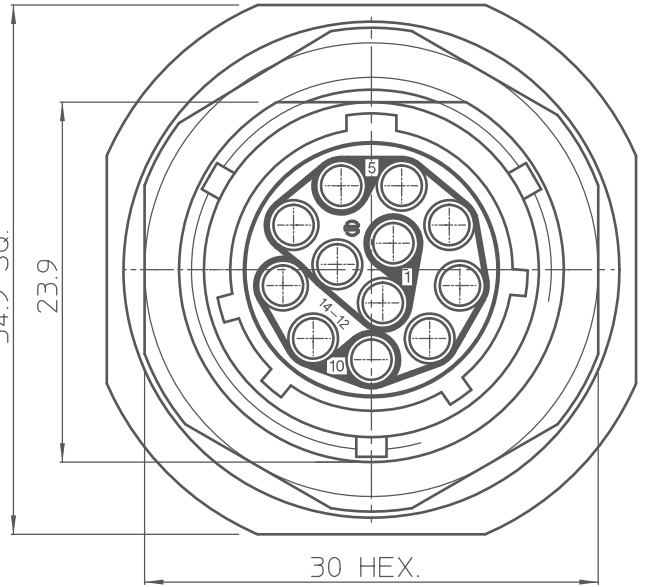
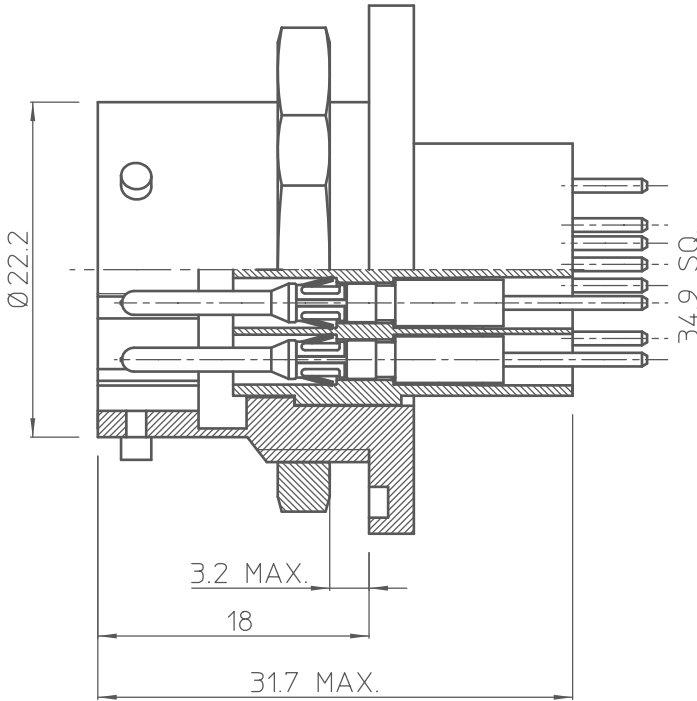
1DEC ±0,2 1DEC 2DEC ±0,1 2DEC ANGLES ±1° HOEKEN	APPR.	DATE	SIGN.	BULKHEAD REC. SIZE 12 WITH SOCKET CONTACTS											
	DRAFT	15-03-02	N. LEENAERT	CAT. No. UT07128S21E84T											
WE RESERVE THE RIGHT TO CHANGE DIMENSIONS OR REQUIREMENTS WITHOUT PRIOR NOTICE.	PROD. MGR.			 FCI	FCI MECHELEN N.V. A. SPINOYSTRAAT 8, 2800 MECHELEN										SCALE
	PR. ENG. MGR.														2 : 1
	PR. MGT. MGR.														
ALL DIMENSIONS IN MM ALLE AFMETINGEN IN MM	REFERENCES / REFERENTIES													BS, A , 202332 , 005 , 03 DRAWING NR. CUSTOMER DRAWING	

DIT IS ONZE EIGENDOM EN MAG NOCH NAGEMAAKT, HERDRUKT, OVERGEMAAKT AAN DERDEN, NOCH VOOR FABRIKATIE GEBRUIKT WORDEN, ZONDER ONZE SCHRIFTELIJKE TOELATING. BIJ NIET GEBRUIK IS DE TERUGZENDING VERPLICHT.

THIS IS OUR EXCLUSIVE PROPERTY. IT IS NOT TO BE COPIED, REPRINTED OR DISCLOSED TO A THIRD PARTY, NOR USED FOR MANUFACTURING WITHOUT OUR WRITTEN CONSENT, AND HAS TO BE RETURNED TO US IN CASE OF NO USAGE

BS, A , 202332 , 004 , 02

REV.	DATE	DESCRIPTION	BY	C'K'D'
01	19-04-02	NUT MATERIAL MODIFIED	NL	
02	22-05-02	DRILL . PATTERN+POST CHAMF. ADDED	NL	



PANEL CUT OUT

Material :

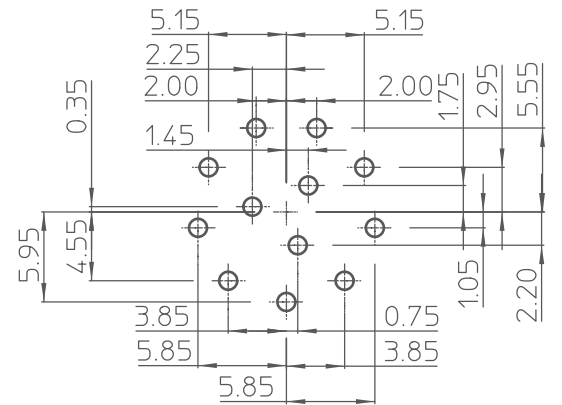
- Insert : Reinforced PPS (polyphenylene) Black.
- Shell : Aluminum Alloy (Bright tin plated).
- Contact marking: Silk screen - white
- Nut : Aluminum alloy (Bright tin plated)

Performance Characteristics :

- Operating temperature : - 55°C to + 125°C.
- Insulating resistance : 5000 M Ω (min).
- Test potential : 2000 VAC(eff).

Note :

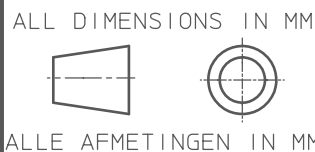
Connector equipped with male contacts RM20M12E8K.



DRILLING PATTERN

GEN. ST.	01	02	03	04	05	06	07	08	0D	50	60	70	80	90																	
INT. ST.	10	11	12	13	14	18	20	31	32	33	34	38	39	40	42	43	44	45	46	48	56	70	72	73	75	76	81	82	83	84	88

1DEC $\pm 0,2$ 1DEC 2DEC $\pm 0,1$ 2DEC ANGLES $\pm 1^\circ$ HOEKEN	APPR.	DATE	SIGN.	BULKHEAD REC. SIZE 14 WITH PIN CONTACTS											
	DRAFT	15-03-02	N. LEENAERT	CAT. No. UT07 14 12P2 1E8T											
WE RESERVE THE RIGHT TO CHANGE DIMENSIONS OR REQUIREMENTS WITHOUT PRIOR NOTICE.	PROD. MGR.				FCI MECHELEN N.V.										SCALE
	PR. ENG. MGR.				A. SPINOYSTRAAT 8, 2800 MECHELEN										2 : 1
	PR. MGT. MGR.			REFERENCES / REFERENTIES BS, A , 202332 , 004 , 02 DRAWING NR. CUSTOMER DRAWING											

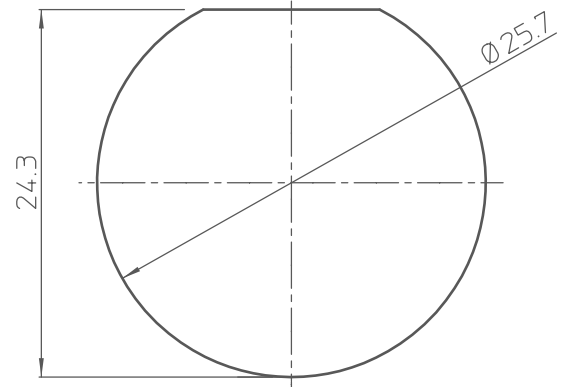
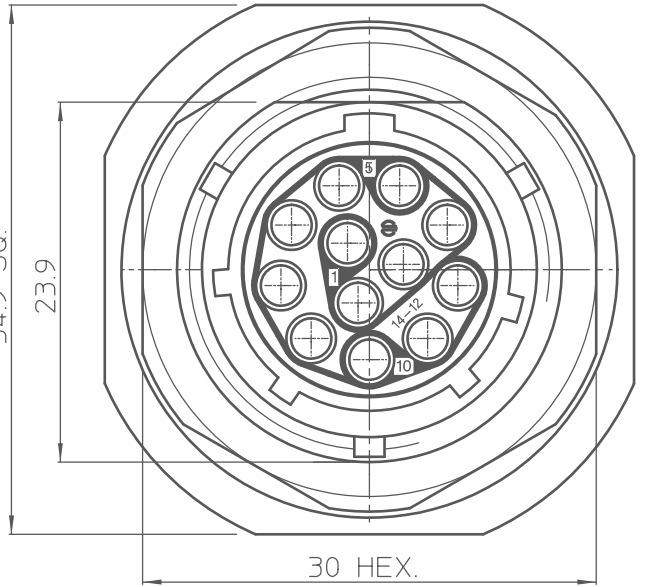
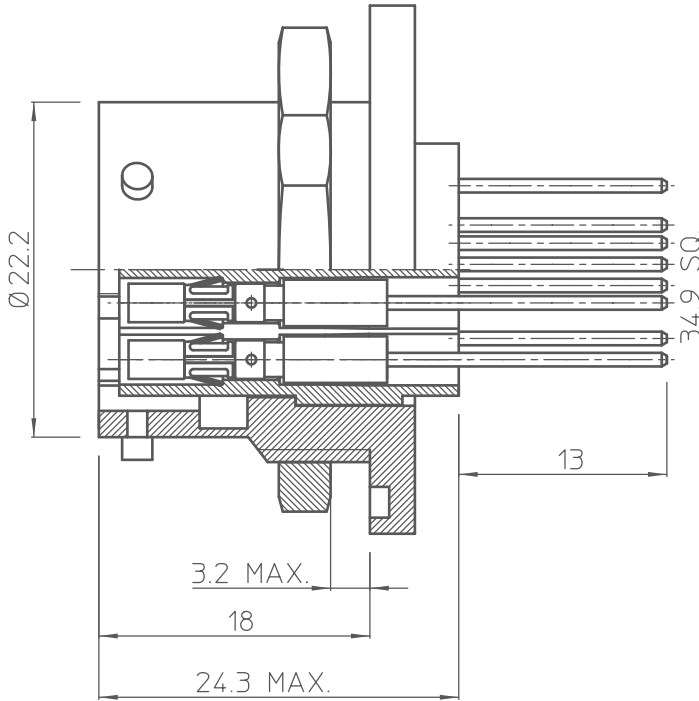


DIT IS ONZE EIGENDOM EN MAG NOCH NAGEMAAKT, HERDRUKT, OVERGEMAAKT AAN DERDEN, NOCH VOOR FABRIKATIE GEBRUIKT WORDEN, ZONDER ONZE SCHRIFTELIJKE TOELATING. BIJ NIET GEBRUIK IS DE TERUGZENDING VERPLICHT.

THIS IS OUR EXCLUSIVE PROPERTY. IT IS NOT TO BE COPIED, REPRINTED OR DISCLOSED TO A THIRD PARTY, NOR USED FOR MANUFACTURING WITHOUT OUR WRITTEN CONSENT, AND HAS TO BE RETURNED TO US IN CASE OF NO USAGE.

BS, A , 202332 , 006 , 03

REV.	DATE	DESCRIPTION	BY	C'K'D'
01	19-04-02	NUT MATERIAL MODIFIED	NL	
02	22-05-02	DRILL PATTERN+POST CHAMF. ADDED	NL	
03	03-10-02	pick-out length post added	PB	



PANEL CUT OUT

Material :

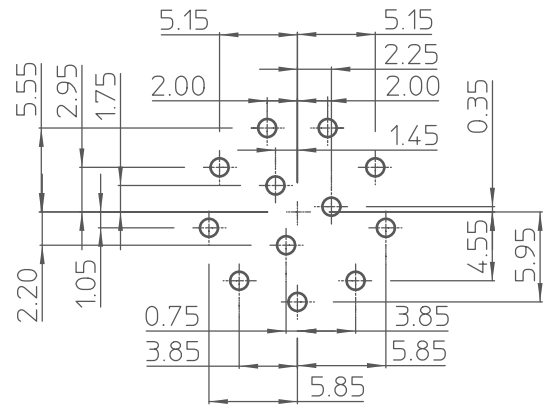
- Insert : Reinforced PPS (polyphenylene) Black.
- Shell : Aluminum Alloy (Bright tin plated).
- Contact marking: Silk screen - yellow
- Nut : Aliminum alloy (Brighth tin plated)

Performance Characteristics :

- Operating temperature : - 55°C to + 125°C.
- Insulating resistance : 5000 Mn(min).
- Test potential : 2000 VAC(eff).

Note :

Connector equipped with female contacts RC20M12E84K.



DRILLING PATTERN

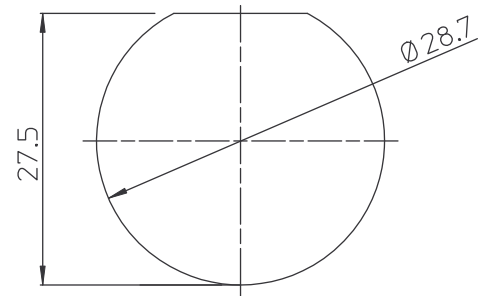
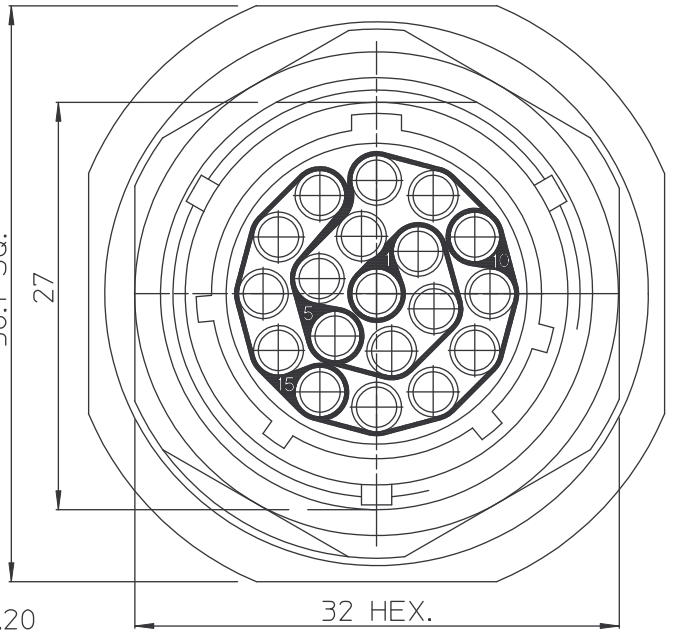
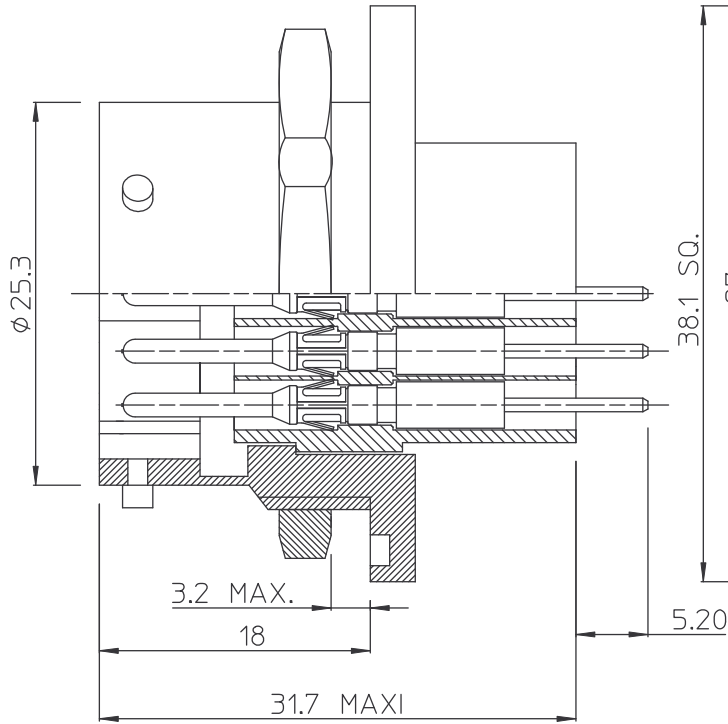
GEN. ST.	01	02	03	04	05	06	07	08	0D	50	60	70	80	90																	
INT. ST.	10	11	12	13	14	18	20	31	32	33	34	38	39	40	42	43	44	45	46	48	56	70	72	73	75	76	81	82	83	84	88

1DEC ±0,2 1DEC 2DEC ±0,1 2DEC ANGLES ±1° HOEKEN	APPR.	DATE	SIGN.	BULKHEAD REC. SIZE 14 WITH SOCKET CONTACTS											
	DRAFT	15-03-02	N. LEENAERT	CAT. No. UT07 14 12S2 1E84T											
WE RESERVE THE RIGHT TO CHANGE DIMENSIONS OR REQUIREMENTS WITHOUT PRIOR NOTICE.	PROD. MGR.				FCI MECHELEN N.V. A. SPINOYSTRAAT 8, 2800 MECHELEN										SCALE
	PR. ENG. MGR.														2 : 1
	PR. MGT. MGR.														
ALL DIMENSIONS IN MM 	REFERENCES / REFERENTIES													BS, A , 202332 , 006 , 03 DRAWING NR. CUSTOMER DRAWING	

DIT IS ONZE EIGENDOM EN MAG NOCH NAGEMAAKT. HERDRUKT, OVERGEMAAKT AAN DERDEN, NOCH VOOR FABRIKATIE GEBRUIKT WORDEN, ZONDER ONZE SCHRIFTELIJKE TOELATING. BIJ NIET GEBRUIK IS DE TERUGZENDING VERPLICHT.

THIS IS OUR EXCLUSIVE PROPERTY. IT IS NOT TO BE COPIED, REPRINTED OR DISCLOSED TO A THIRD PARTY, NOR USED FOR MANUFACTURING WITHOUT OUR WRITTEN CONSENT, AND HAS TO BE RETURNED TO US IN CASE OF NO USAGE

REV.	DATE	DESCRIPTION	BY	C'K'D'
--	--	--	--	



PANEL CUT OUT
Scale 1,5/1

Material :

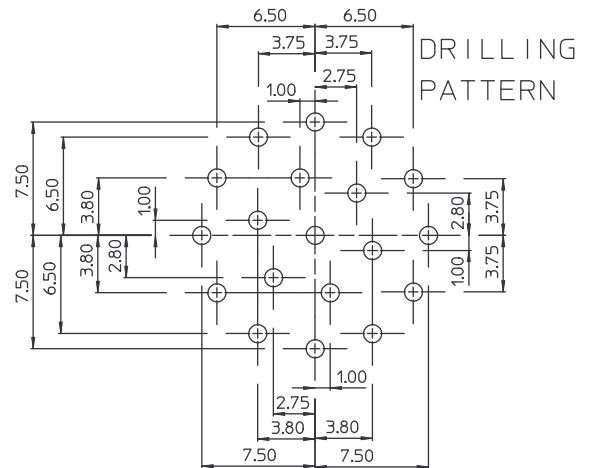
- Insert : Reinforced PPS (polyphenylene) Black.
- Shell : Aluminum Alloy (Bright tin plated).
- Contact marking: Silk screen - white
- Nut : Aluminum alloy (Bright tin plated)

Performance Characteristics :

- Operating temperature : - 55°C to + 125°C.
- Insulating resistance : 5000 M Ohm (min).
- Test potential : 2000 VAC(eff).

Note :

Connector fully equipped with male contacts RM20M12E8K.



DESIGN PROPOSAL

GEN. ST.	01	02	03	04	05	06	07	08	0D	50	60	70	80	90																	
INT. ST.	10	11	12	13	14	18	20	31	32	33	34	38	39	40	42	43	44	45	46	48	56	70	72	73	75	76	81	82	83	84	88

1DEC ±0,2 1DEC 2DEC ±0,1 2DEC ANGLES ±1° HOEKEN	APPR.	DATE	SIGN.	BULKHEAD REC. SIZE 16 WITH PIN CONTACTS
	DRAFT	30-09-03	ROUILLARD CH	CAT. No. UT071619P21E8T
WE RESERVE THE RIGHT TO CHANGE DIMENSIONS OR REQUIREMENTS WITHOUT PRIOR NOTICE.	PROD. MGR.			SOURIAU Route Nationale 23 72470 CHAMPAGNE
ALL DIMENSIONS IN MM	PR.ENG.MGR.			
ALLE AFMETINGEN IN MM	PR.MGT.MGR.			REFERENCES / REFERENTIES BS , A , 202332 , 014 , 00 DRAWING NR. CUSTOMER DRAWING

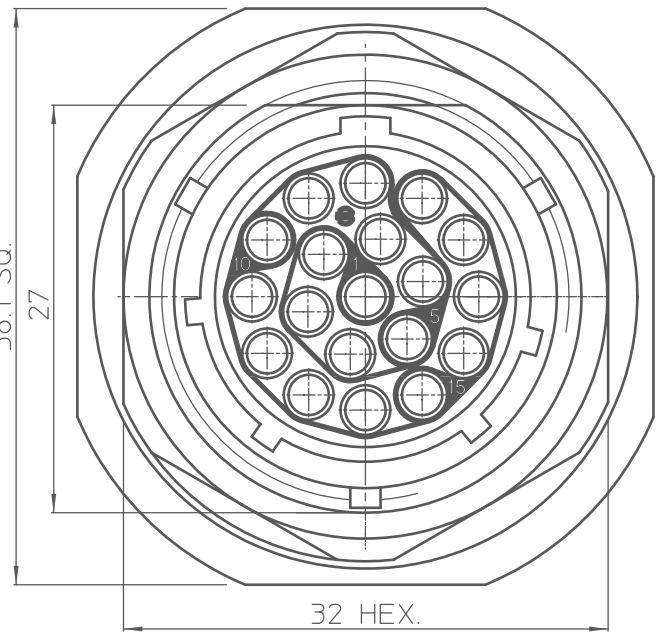
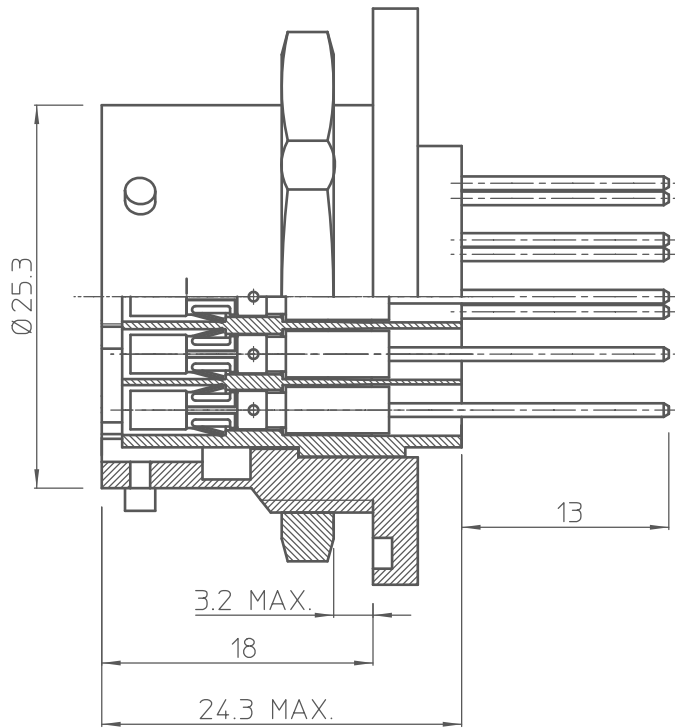
BS , A , 202332 , 014 , 00

DIT IS ONZE EIGENDOM EN MAG NOCH NAGEMAAKT, HERDRUKT, OVERGEMAAKT AAN DERDEN, NOCH VOOR FABRIKATIE GEBRUIKT WORDEN, ZONDER ONZE SCHRIFTELIJKE TOELATING. BIJ NIET GEBRUIK IS DE TERUGZENDING VERPLICHT.

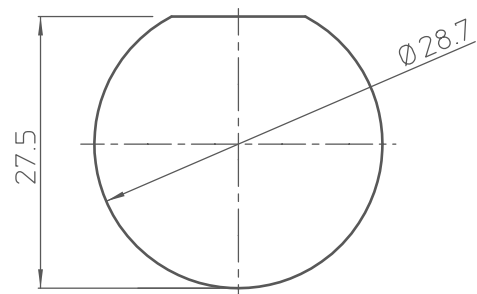
THIS IS OUR EXCLUSIVE PROPERTY. IT IS NOT TO BE COPIED, REPRINTED OR DISCLOSED TO A THIRD PARTY, NOR USED FOR MANUFACTURING WITHOUT OUR WRITTEN CONSENT, AND HAS TO BE RETURNED TO US IN CASE OF NO USAGE.

BS, A , 202332 , 007 , 03

REV.	DATE	DESCRIPTION	BY	C'K'D'
01	19-04-02	NUT MATERIAL MODIFIED	NL	
02	22-05-02	DRILL .PATTERN+POST CAMF. ADDED	NL	
03	03-10-02	Stick-out length post added	PB	



PANEL CUT OUT
Scale 1,5/1



Material :

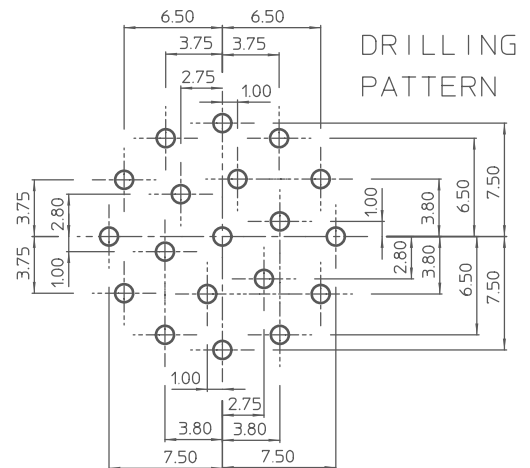
- Insert : Reinforced PPS (polyphenylene) Black.
- Shell : Aluminum Alloy (Bright tin plated).
- Contact marking: Silk screen - yellow
- Nut : Aluminum alloy (Brigh t tin plated)

Performance Characteristics :

- Operating temperature : - 55°C to + 125°C.
- Insulating resistance : 5000 M Ω (min)
- Test potential : 2000 VAC(eff).

Note :

Connector fully equipped with female contacts RC20M12E84K.



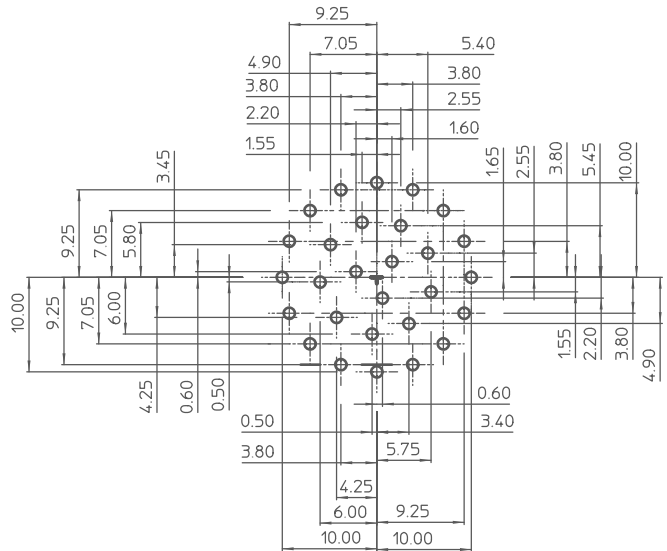
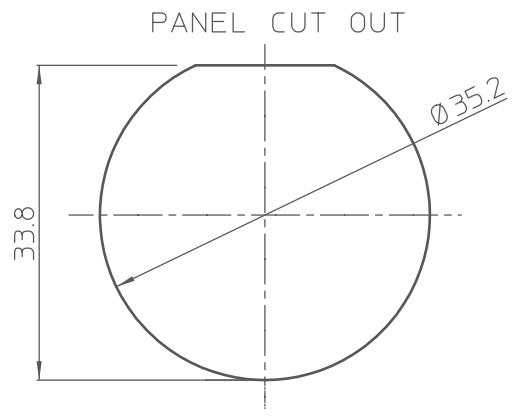
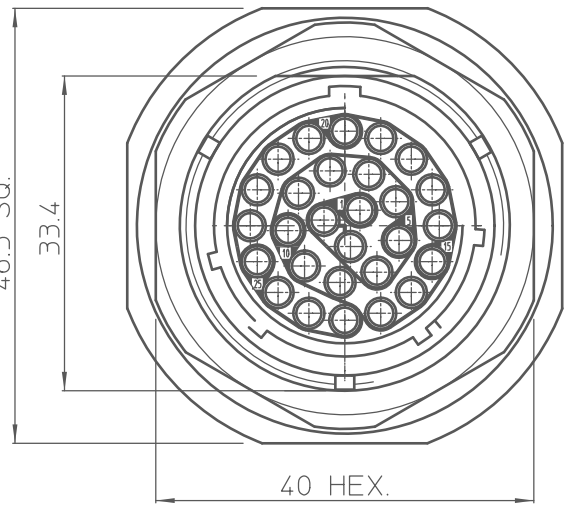
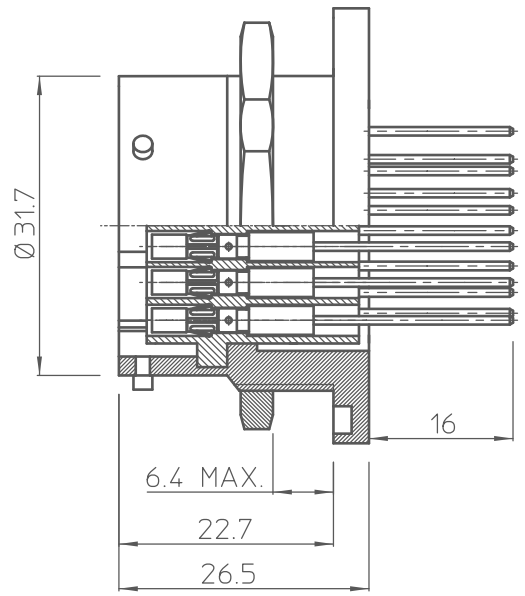
GEN. ST.	01	02	03	04	05	06	07	08	0D	50	60	70	80	90																	
INT. ST.	10	11	12	13	14	18	20	31	32	33	34	38	39	40	42	43	44	45	46	48	56	70	72	73	75	76	81	82	83	84	88

1DEC ±0,2 1DEC 2DEC ±0,1 2DEC ANGLES ±1° HOEKEN	APPR. DRAFT CHECKED	DATE 03-04-02	SIGN. N. LEENAERT	BULKHEAD REC. SIZE 16 WITH SOCKET CONTACTS							
WE RESERVE THE RIGHT TO CHANGE DIMENSIONS OR REQUIREMENTS WITHOUT PRIOR NOTICE.				CAT. No. UT07 16 19S2 1E84T							
ALL DIMENSIONS IN MM 				REFERENCES / REFERENTIES				FCI MECHELEN N.V. A. SPINOYSTRAT 8, 2800 MECHELEN		SCALE 2 : 1	
ALLE AFMETINGEN IN MM				BS, A , 202332 , 007 , 03 DRAWING NR.				CUSTOMER DRAWING			

DIT IS ONZE EIGENDOM EN MAG NOCH NAGEMAAKT, HERDRUKT, OVERGEMAAKT AAN DERDEN, NOCH VOOR FABRIKATIE GEBRUIKT WORDEN, ZONDER ONZE SCHRIFTELIJKE TOELATING. BIJ NIET GEBRUIK IS DE TERUGZENDING VERPLICHT.

THIS IS OUR EXCLUSIVE PROPERTY. IT IS NOT TO BE COPIED, REPRINTED OR DISCLOSED TO A THIRD PARTY, NOR USED FOR MANUFACTURING WITHOUT OUR WRITTEN CONSENT, AND HAS TO BE RETURNED TO US IN CASE OF NO USAGE

REV.	DATE	DESCRIPTION	BY	C'K'D'



Material :

- Insert : Reinforced PPS (polyphenylene) Black.
- Shell : Aluminum Alloy (Bright tin plated).
- Contact marking: Silk screen - yellow
- Nut : Aluminum alloy (Bright tin plated)

DRILLING PATTERN

Performance Characteristics :

- Operating temperature : - 55°C to + 125°C.
- Insulating resistance : 5000 M Ω (min).
- Test potential : 2000 VAC(eff).

Note:

Connector fully equipped with female contacts RC20M12E85K.

GEN. ST.	01	02	03	04	05	06	07	08	0D	50	60	70	80	90																	
INT. ST.	10	11	12	13	14	18	20	31	32	33	34	38	39	40	42	43	44	45	46	48	56	70	72	73	75	76	81	82	83	84	88

1DEC ±0,2	1DEC
2DEC ±0,1	2DEC
ANGLES ±1°	HOEKEN

APPR.	DATE	SIGN.
DRAFT	20-08-02	P. BUYCKX
CHECKED		
PROD. MGR.		
PR. ENG. MGR.		
PR. MGT. MGR.		

BULKHEAD REC. SIZE 20 WITH SOCKET CONTACTS
CAT. No. UTO72028S21E86T

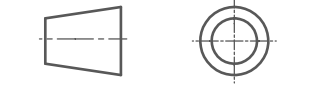
WE RESERVE THE RIGHT TO CHANGE DIMENSIONS OR REQUIREMENTS WITHOUT PRIOR NOTICE.

FCI MECHELEN N.V.
A. SPINOYSTRAAT 8, 2800 MECHELEN

SCALE
1.25 / 1

ALL DIMENSIONS IN MM

REFERENCES / REFERENTIES



BS, A , 202332, 010, 00
DRAWING NR. CUSTOMER DRAWING

BS, A , 202332, 010, 00